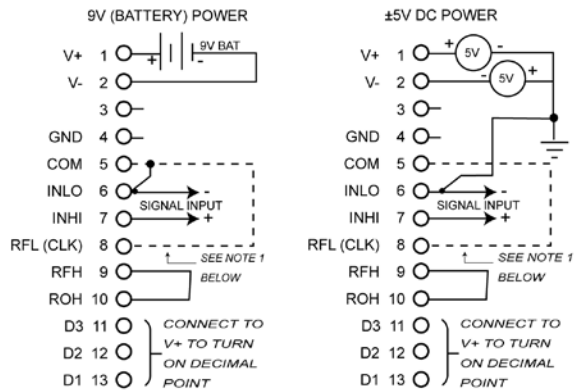
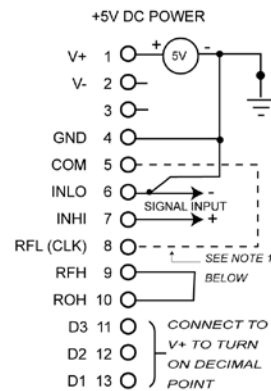


9V (±5V) POWERED DPM CONNECTIONS

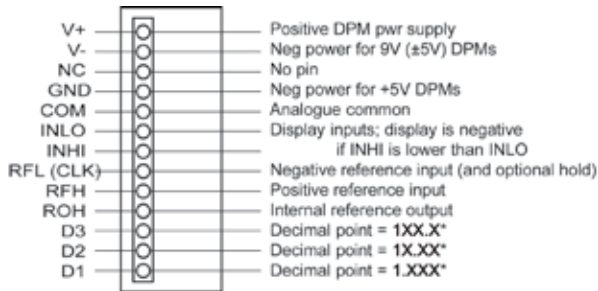


- NOTES:
- DO NOT MAKE THE CONNECTION BETWEEN "COM" & "RFL" ON DPMs WITH HOLD OPTION.
 - INPUT MUST BE ISOLATED FROM SUPPLY WITH 9V CONNECTION SHOWN.
 - DO NOT SOLDER TO .025" PINS
 - THE 5V BACKLIGHT POWER IS SEPARATE FROM THE DPM POWER. TO REDUCE NOISE THE RETURNS OF THE SUPPLIES SHOULD BE CONNECTED TOGETHER.
 - CAUTION: CONFIRM PART NUMBER MATCHES SUPPLY VOLTAGE.

+5V POWERED DPM CONNECTIONS



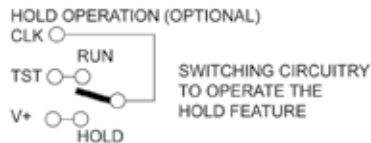
CONNECTION DESCRIPTIONS



BACKLIGHT POWER CONNECTIONS (OPTIONAL) Solder on front tab.

BACKLIGHT COLOR	SUPPLY CONNECTIONS
	POSITIVE (+) NEGATIVE (-)
RED	L1 L2
GREEN	L2 L1

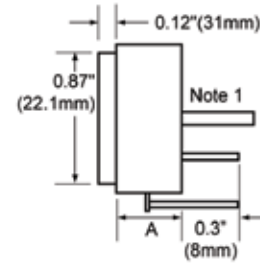
- NOTES:
- Check DPM PIN for correct voltage.
 - The backlight power is separate from the DPM power. To reduce noise, the returns of the supplies should be connected together.



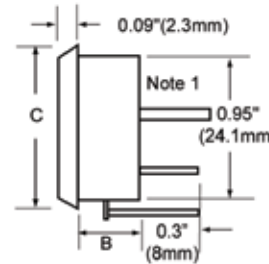
- For 5V operation, GND terminal to input low (INLO)
- For 9V operation, connect COM and RFL terminal to input low (INLO)

3.5 DIGIT 13-PIN LCD DPM INSTALLATION SHEET

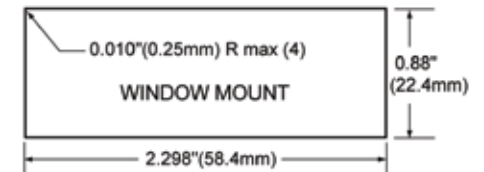
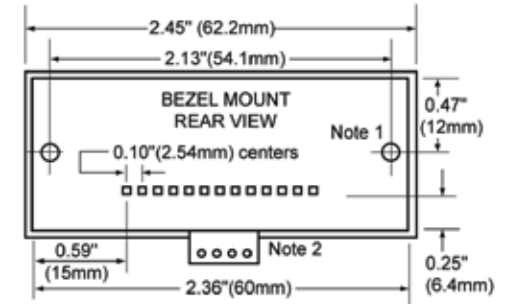
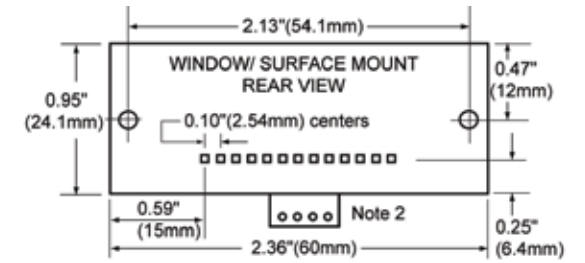
DPM DIMENSIONS



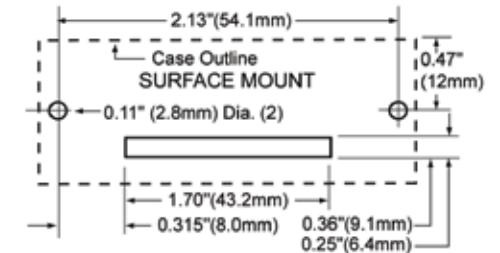
BACKLIT	A Dim.
NO	0.18" (4.6mm)
YES	0.38" (9.7mm)



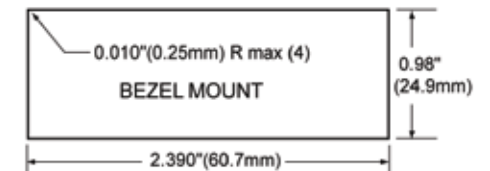
MNTG	BACKLIT	B Dim.	C Dim.
STD. BEZEL	NO	0.33" (8.4 mm)	1.03" (26.2mm)
STD. BEZEL	YES	0.52 (13.2 mm)	1.03" (26.2mm)
SNAPIN BZL	NO	0.45 (11.4 mm)	1.10" (28mm)



PANEL CUTOUT DIMENSIONS



- NOTES:
- Mounting studs (2) are #2-56, length 0.5 (13) min.
 - Backlight Option is on 0.50" (12.4mm) wide X 0.22" (5.4mm) high tab
 - Snap in Bezel Mount does not have mounting studs.



INCHES (mm)