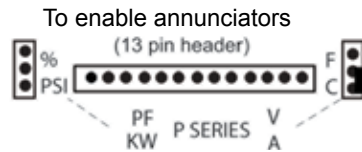


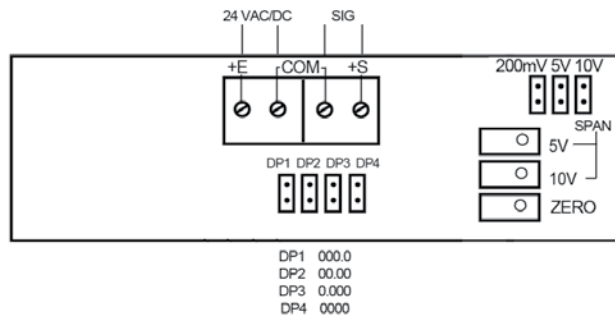
Large 1" 3½ Digit AC/DC Powered, Voltage Controlled LCD

WIRING

Lower Board



Upper Board



CUT-OUT & DIMENSIONS

