



Features:

- ◇ Low-cost, high-performance replacement for many OEM DPMs
- ◇ Mounting choices:
 - Window mount for custom OEM
 - Surface mount with minimum space behind the panel
 - Snap-in bezel mount eliminates mounting hardware
- ◇ Low power: choice of 1.5mA (9V) or 2.6mA (+5V)
- ◇ Space-saving design: only 1" (25 mm) deep
- ◇ Occupies less than 2.5 X 1.1 inches of front panel space
- ◇ 4½ digits with high-contrast LCD

Specifications:

| | | |
|----------------------|--------------------------|--|
| Display: | Digits: | 4 ½ digits (±19999 counts) |
| | Type: | 0.5" (13mm) 7 segment LCD |
| | Polarity: | automatic, "-" displayed |
| | Annunciators: | "LoBat" when power <7.2 VDC |
| | Decimal Points: | 4 position, user selectable |
| | Overrange: | four lower order digits blank for inputs >19999 & <-19999 |
| | Hold: | standard |
| Inputs: | Ranges: | ±200.0 mV, ±2.000 V, ±20.00 VDC |
| | Configuration: | single ended for 9 V powered, differential for 5 V powered |
| | Protection: | ±10 VDC on 200 mV; ±100 VDC on @ 2 V; ±350 VDC on 20 V range |
| | Impedance: | >100 MΩ on ± 200 mV; (>1 MΩ on 2 V & 20 V range) |
| | Bias Current: | 10 pA typical |
| Performance: | Accuracy: | ±(0.06% fs + 1 count) maximum |
| | Conversion Rate: | 2 per second |
| | Normal Mode Rejection: | >30 dB @ 60 Hz |
| | Common Mode Range: | ±1 VDC (5 V powered) |
| | Common Mode Rej.: | >86 dB |
| | Zero Adjustment: | automatic |
| | Warmup: | 10 minutes typical |
| | Temperature Coefficient: | ±50 ppm per °C typical ±100 ppm max for 200 mV range ±100 ppm per °C typical ±200 ppm max for 2 V & 20 V ranges |
| Environment: | Operating Range: | 0 to 50 °C |
| | Storage Range: | -20 to 70 °C |
| Power Supply: | 5V powered: | +5 VDC (4.65 - 5.35) at 2.6 mA |
| | 9V powered: | +7.2 to +12 V at 1.5 mA |
| Mounting: | DK700: | surface or window mount |
| | DK710: | snap-in bezel mount |
| Connection: | | 13 pins, 0.025" square on 0.1" centers |

Ordering Information:

DK700 SERIES - Window/ Surface Mount, low-cost 4½ digit LCD Display

| PART NUMBER | METER INPUT | METER POWER |
|-------------|-------------|-------------|
| DK702 | 200mV | +5VDC |
| DK703 | 2V | +5VDC |
| DK704 | 200mV | 9V |
| DK705 | 2V | 9V |

DK710 SERIES - Snap-in Bezel Mount, low-cost 4½ digit LCD Display

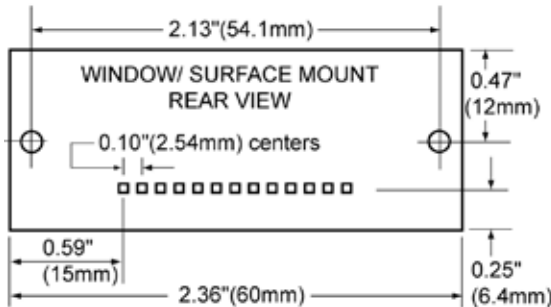
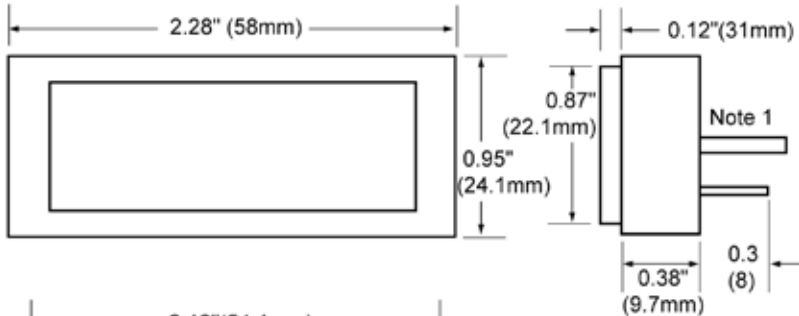
| PART NUMBER | METER INPUT | METER POWER |
|-------------|-------------|-------------|
| DK710 | 200mV | +5VDC |
| DK711 | 2V | +5VDC |
| DK712 | 20V | +5VDC |

| | |
|--------|--|
| J4C13 | 13 Pin Connector / Wire Assembly |
| PW2-5 | Regulated 120V AC to 5V DC Power Supply |
| PW2-12 | Regulated 120V AC to 12V DC Power Supply |
| PW1.0 | 24V AC to adjustable DC output |
| CPW1.5 | 24V AC to adjustable DC output |
| CVC | Calibrator |



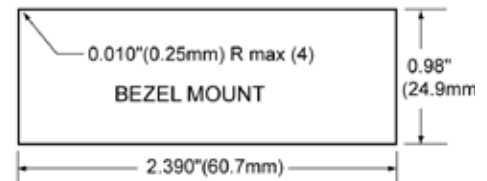
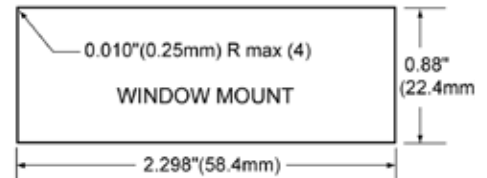
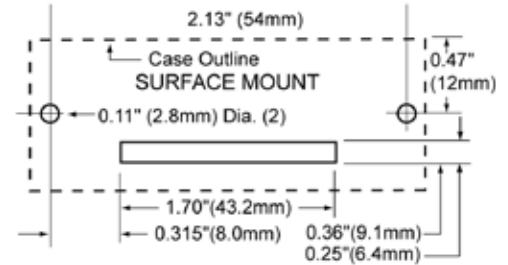
Dimensions & Wiring Connections

WINDOW/SURFACE MOUNT DIMENSIONS

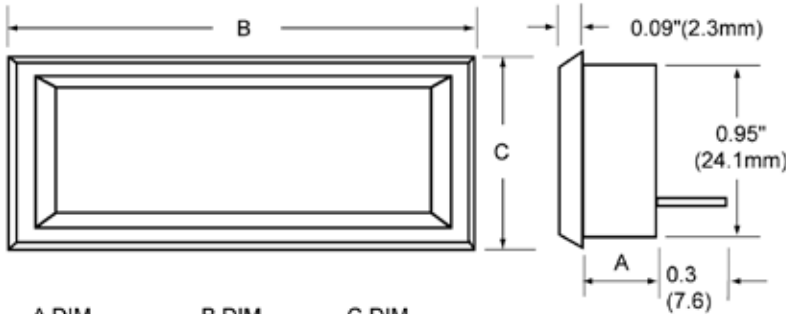


NOTES:
 1. Mounting studs (2) are #2-56, length 0.5 (13) min. Snap in bezel mount does not have mounting studs.

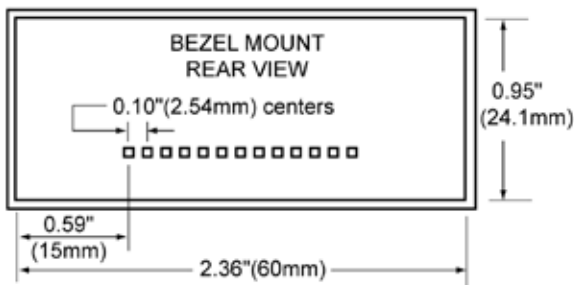
PANEL CUTOUTS



SNAP IN BEZEL MOUNT DIMENSIONS



| A DIM. | B DIM. | C DIM. |
|---------------|---------------|-------------|
| 0.44"(11.2mm) | 2.51"(63.8mm) | 1.10"(28mm) |



INCHES (mm)

CONNECTION DESCRIPTION

| PIN# | DESCRIPTION |
|------|---|
| 1 | V+ POSITIVE SUPPLY CONNECTION |
| 2 | V- NEGATIVE SUPPLY CONNECTION |
| 3 | INH1 INPUT HIGH TERMINAL |
| 4 | INLO INPUT LOW TERMINAL |
| 5 | D1 DECIMAL POINT = 000.0 |
| 6 | D2 DECIMAL POINT = 00.00 |
| 7 | D3 DECIMAL POINT = 0.000 |
| 8 | D4 DECIMAL POINT = .0000 |
| 9 | DP DP COMMON <small>CONNECT TO DECIMAL POINTS TO ACTIVATE</small> |
| 10 | RNG 10:1 RANGE <small>CONNECT TO V+ TO ACTIVATE</small> |
| 11 | HLD HOLD FEATURE <small>CONNECT TO V+ TO ACTIVATE</small> |
| 12 | NC |
| 13 | NC |