



Features:

- ◇ Display hold function standard
- ◇ 3½ digits with 0.56" Red or Green LED
- ◇ Window mount with optional bezel
- ◇ User selectable decimal points

Specifications:

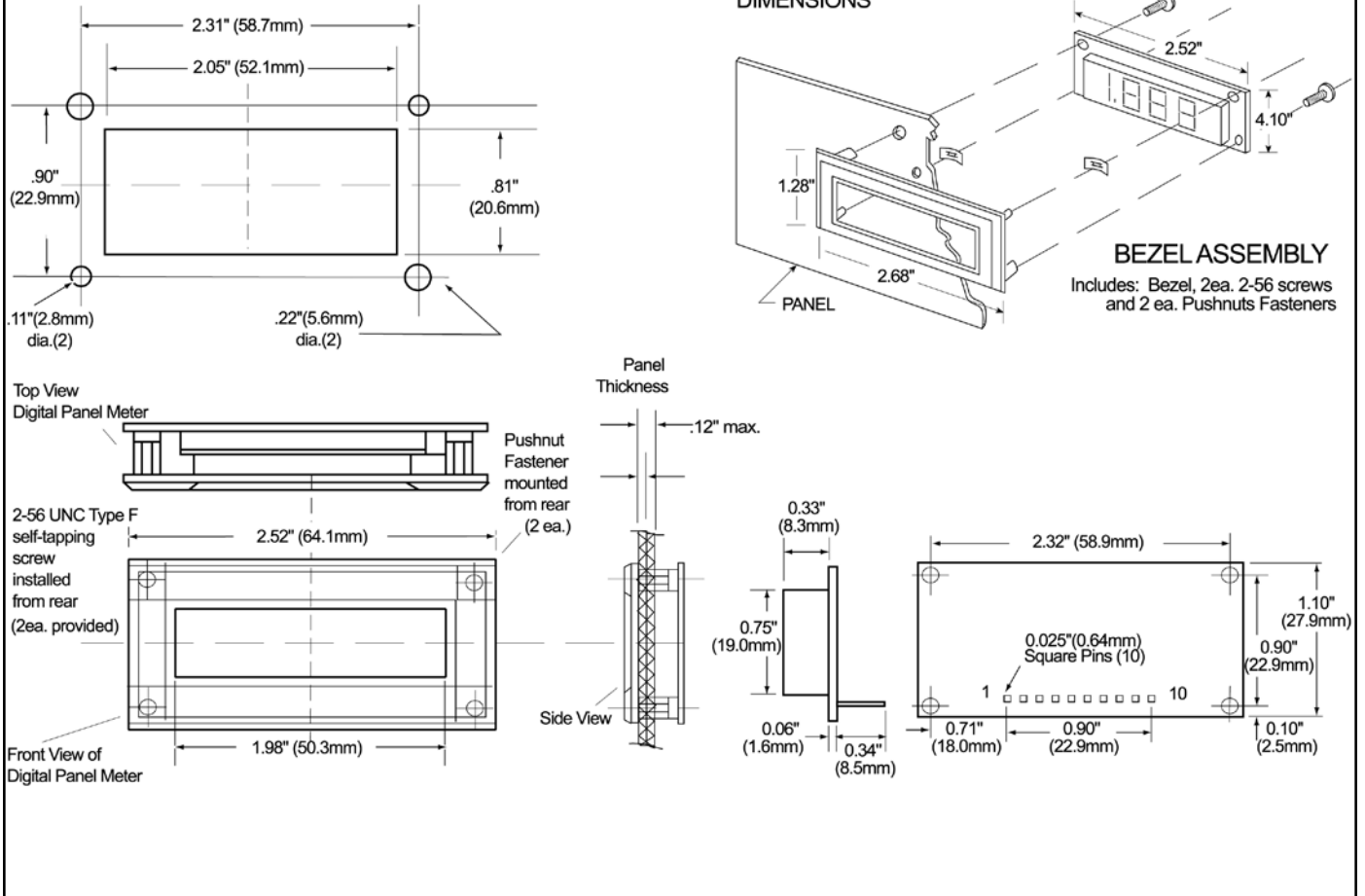
Display:	Digits:	3 ½ (±1999 count)	
	Type:	7- segment LED (red or green)	
	Digit Height:	.56 in (14.2 mm)	
	Polarity Indication:	automatic "-" for neg input	
	Decimal Point:	3 position selectable	
	Overrange:	three lower order digits blank for inputs >1999 & < -1999	
	Signal Inputs:	Configuration:	bipolar, differential
		Full-Scale Input:	±200 mV, ±2 V, ±20 V
		Input Offset Adjustment:	auto zero
		Input Impedance:	>100 MΩ (±200 mV), -1 MΩ (other ranges)
Common Mode Range:		±1 VDC	
Common Mode Rejection:		>86 dB	
Performance:	Protection:	±350 VDC (±100 VDC for 200 mV range)	
	Input Bias Current:	1 pA typical, 100 pA max	
	Control Inputs:	decimal point select, hold, span adjust trimpot	
	Sampling Rate:	3.3 readings / s	
	Accuracy:	± (0.1% + 2 counts) typ ±(0.2% + 2 counts) max	
Power Supply:	Warmup, typical:	10 min	
	Temperature Drift, typical:	100 ppm / °C	
	Supply Voltage:	+5 VDC ±5%	
Environmental:	Supply Current, typical:	200 mA	
	Operating Temperature:	0 to 50°C	
	Storage Temperature:	-10 to 60°C	
	Relative Humidity:	0 to 95% non-condensing	
Physical:	Package Style:	window mount	
	Dimensions:	2.52 x 1.10 x .73	
	Panel Cutout:	2.05 x .81	
	Weight:	0.7 oz (20 g)	
	Connector:	J1C-10 or C10-5 optional	
	Connection:	10 pin	
Bezel:	optional		

Ordering Information:

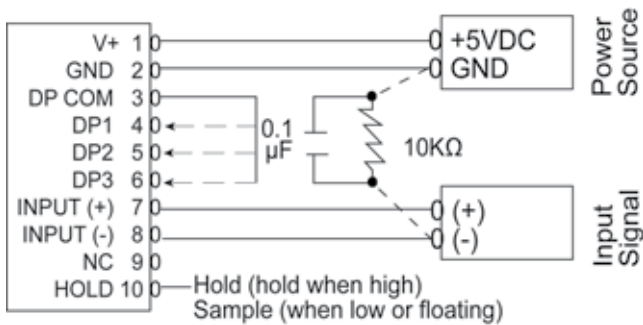
PART NUMBER	METER COLOR	METER POWER
DK601.....	GREEN	200mV DC
DK602.....	GREEN	2V DC
DK603.....	GREEN	20V DC
DK604.....	RED	200mV DC
DK605.....	RED	2VDC
DK606.....	RED	20VDC

LED-B.....	Optional Bezel Mounting Kit
C10-5.....	5" - 10 Pin Connector / Wire Assembly
J1C10.....	12" - 10 Pin Connector / Wire Assembly
PW2-5.....	Regulated 120V AC to 5V DC Power Supply
PW1.0.....	24V AC to adjustable DC output
CPW1.5.....	24V AC to adjustable DC output
CVC.....	Calibrator

Dimensions



Wiring



Pin No.	Pin Name	Description
1	V+	+5V power supply
2	GND	Power supply ground
3	DP COM	Decimal point return
4	DP1	1XX.X (connect to DP COM to turn on)
5	DP2	1X.XX (connect to DP COM to turn on)
6	DP3	1.XXX (connect to DP COM to turn on)
7	INPUT(+)	Positive input signal
8	INPUT(-)	Negative input signal
9	NC	No connection required
10	HOLD	Hold last display